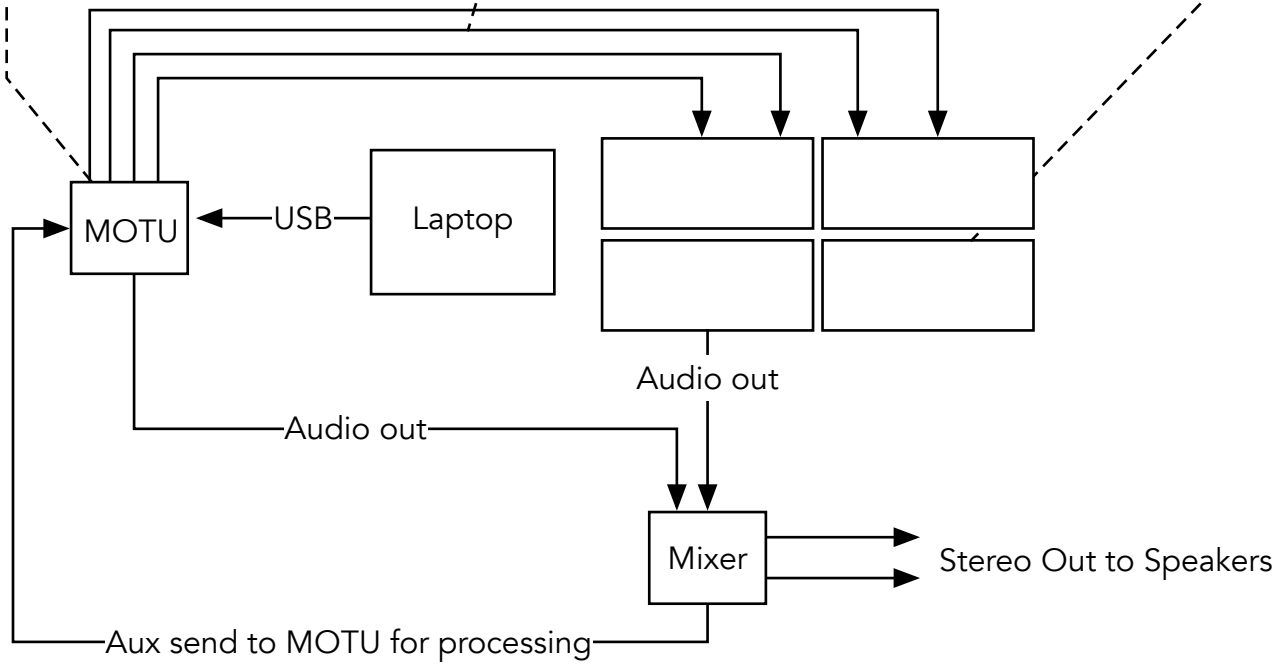


Cycles 2 - Tech Setup

MOTU ultralite audio interface

Audio out from MOTU (1/4" to Banana plugs)*

Serge Analog Modular Synthesizer (SMMS series?)



*floating point value from Max is converted to control voltage (CV) used for modulating various analog synth parameters (frequency, amplitude, mod depth, sequence clock rate)

Cycles 2 - Performance Configuration

